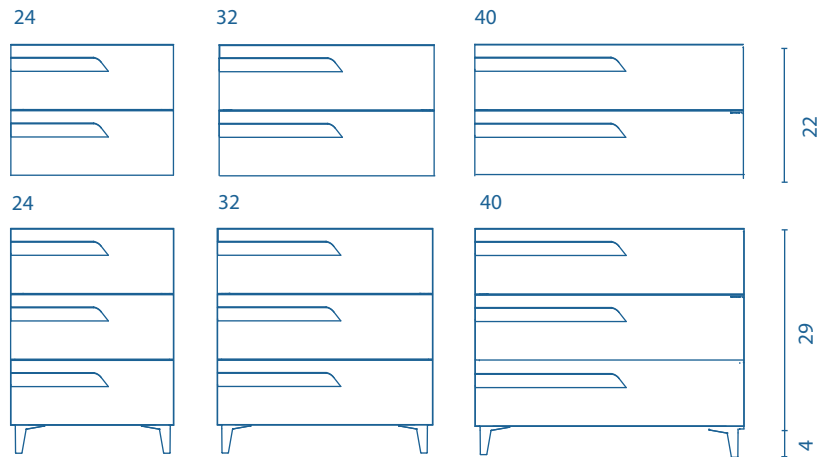


VITALE

UNITS

Depth 18



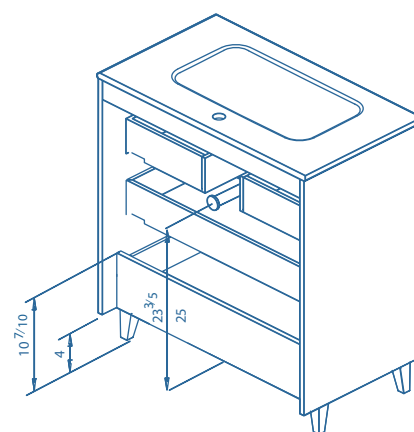
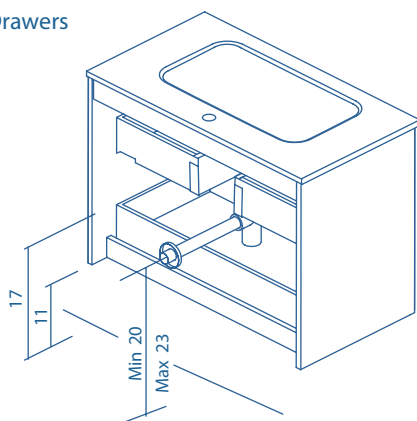
The 48 measurements are based on the 24 modules.
 The 64 measurements are based on the 32 modules.
 The 80 measurements are based on the 40 modules.

TECHNICAL INFORMATION

- STRUCTURE:** High gloss lacquered 5/8 in. board and foil wrapped 5/8 in. board.
- FRONT:** High gloss lacquered MDF 5/7 in. board and foil wrapped MDF 5/7 in. board.
- HANDLE:** Integrated in the front of the furniture.
- DRAWER:** Drawers made in grey textile poly laminate coated board with hidden full extraction runners with soft close system. Includes organizer for small items in upper drawer. Lower drawer useful space (widthxhighxdepth): 20x4x13 in. (unit 24 in.), 28x4x13 in. (unit 32 in.), 36x4x13 in. (unit 40 in.)
- WALL HANGING BRACKET:** Hidden hanging brackets with direct assembling system, great resistance and depth regulation.
- LEGS:** Metallic in bright chrome finish with adjustable legs included in the 3 drawers unit.
- PIPE DEPTH:** Pipe depth 3 in.

SIPHON PLACEMENT

2 Drawers



FINISHES 



GREY NATURE