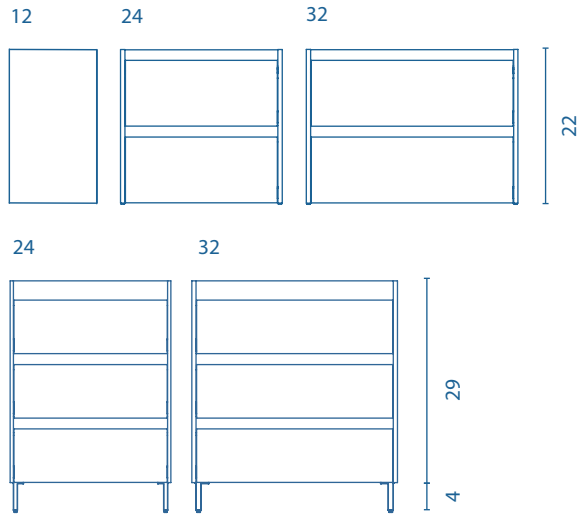


SANSA

UNITS

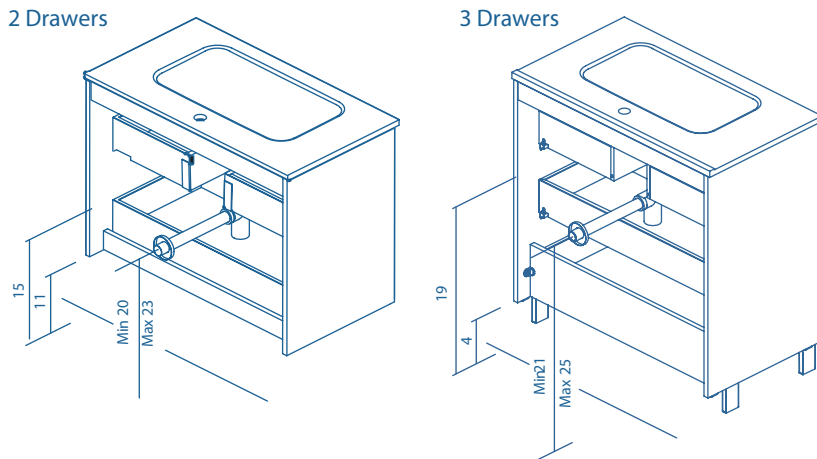
Depth 18



TECHNICAL INFORMATION

STRUCTURE:	High gloss lacquered 5/8 in board and melamine 5/8 in board.
FRONT:	High gloss lacquered 5/8 in board and melamine 5/8 in board.
HANDLE:	Integrated in the front of the furniture.
DRAWER:	Drawers made in grey textile poly laminate coated board with high quality hidden partial extraction runners with soft close system. Lower drawer useful space (widthxhighxdepth): 20x4x13 in (unit 24 in), 28x4x13 in (unit 32 in).
WALL HANGING BRACKET:	Hidden hanging brackets with direct assembling system, great resistance and depth regulation.
LEGS:	For set with 3 drawers, ABS in bright chrome finish with adjustable legs. Included in unit.
PIPE DEPTH:	Pipe depth 3 in.

SIPHON PLACEMENT



FINISHES

